

**DATA SHEET**  
**XY2-DC-2**

**XY2-100 ADAPTER BASE PLATE FOR RHOTHOR SMART DEFLECTORS™**

---

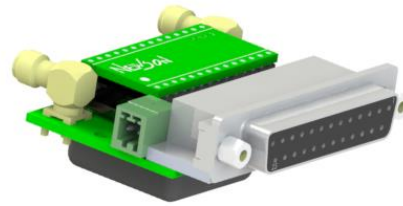
**NEWSON NV**

## Table of Contents

<b>1</b>	<b>FEATURES .....</b>	<b>3</b>
<b>2</b>	<b>TYPICAL SETUPS .....</b>	<b>3</b>
<b>3</b>	<b>INTERNAL SCHEME.....</b>	<b>3</b>
<b>4</b>	<b>PIN ASSIGNMENT .....</b>	<b>4</b>
4.1	XY2-100 INPUT.....	4
4.2	POWER CONNECTOR .....	4
<b>5</b>	<b>XY2-100 STANDARD PROTOCOL INFORMATION.....</b>	<b>5</b>
<b>6</b>	<b>DIMENSIONS.....</b>	<b>5</b>

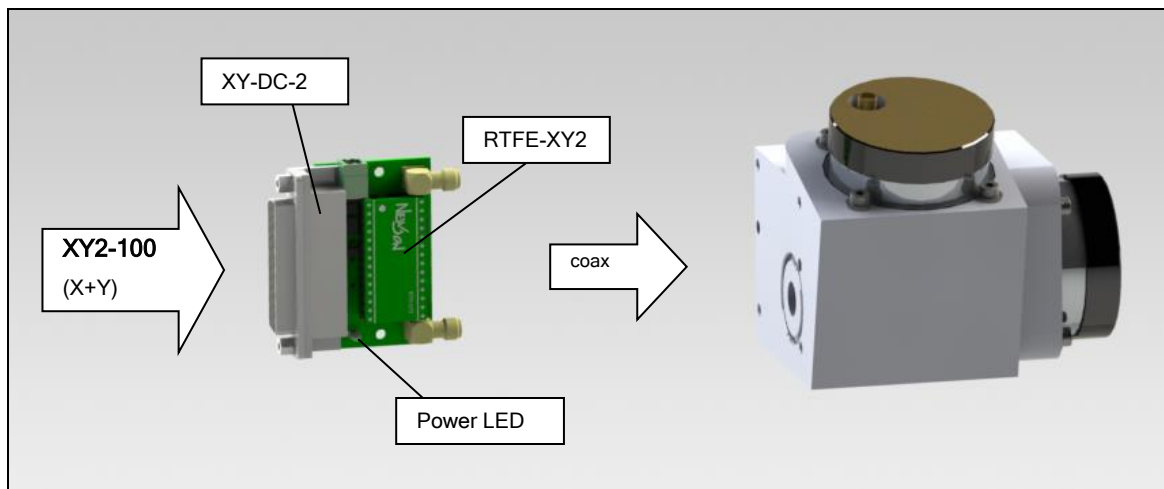
## 1 FEATURES

- Compact baseplate for a single RTFE-XY2 front end IC
- Support for XY2-100 standard with 16-bit set points
- Dual Channel X and Y
- Standard 25 pin DSUB female connector
- Supports scanners generation 3 (RTA-ARXXX-3G)
- Power connection

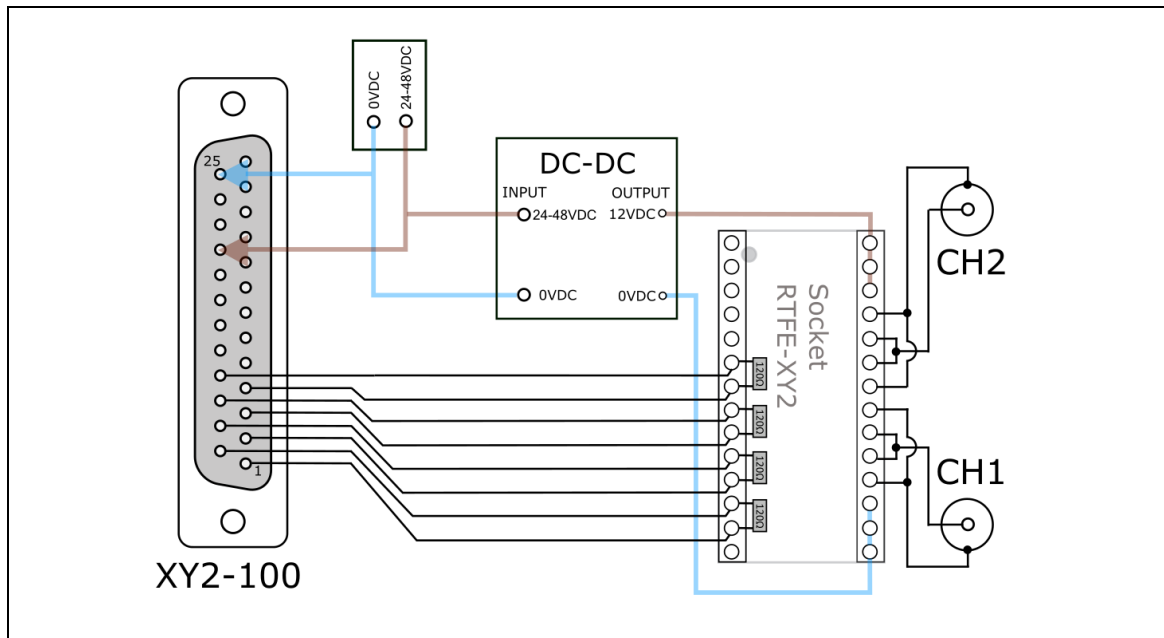


## 2 TYPICAL SETUPS

Connect a third party XY2-100 steering board with a 2D rhotor deflection system using the XY2-DC-2 module equipped with a RTFE-XY2 IC.



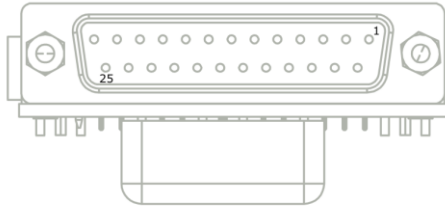
## 3 INTERNAL SCHEME



## 4 PIN ASSIGNMENT

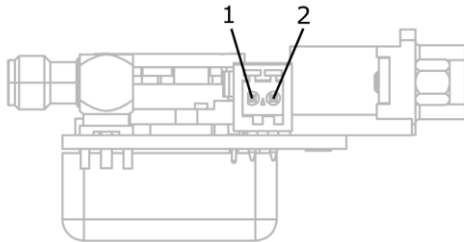
### 4.1 XY2-100 INPUT

Connector Type: 25 pin sub-D socket Female



Pin No.	Name	Description
1 / 14	IO1- / IO1+	SENDCK: Continuously running clock, terminated with 120Ω
2 / 15	IO2- / IO2+	SYNC: Synchronises data transfer, terminated with 120Ω
3 / 16	IO3- / IO3+	CHANNEL1: Data to Channel1, terminated with 120Ω
4 / 17	IO4- / IO4+	CHANNEL2: Data to Channel2, terminated with 120Ω
9,10,22	PWS+	Scanner power supply input
11,23,24	PWS0	Scanner power supply input
12,13,25	PWS-	Scanner power supply input

### 4.2 POWER CONNECTOR

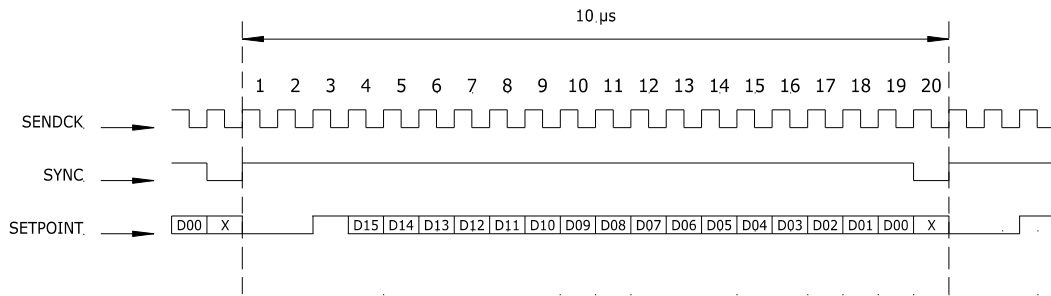


Connector Type: Phoenix MC 0,5/2-G-2,5

Connect only when XY2-100 input cable does not provide scanner power supply input

Pin No.	Name	Description
1	DC+	DC input : 24-48VDC
2	DC0	DC input : 0V

## 5 XY2-100 STANDARD PROTOCOL INFORMATION



[D15-D00]: Set point, offset binary  
 [F15-F00]: Actual position, offset binary  
 [X]: DC

## 6 DIMENSIONS

