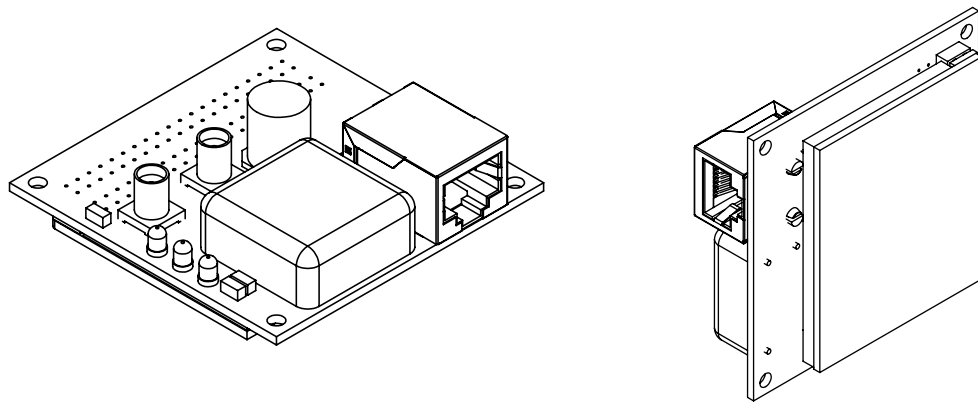
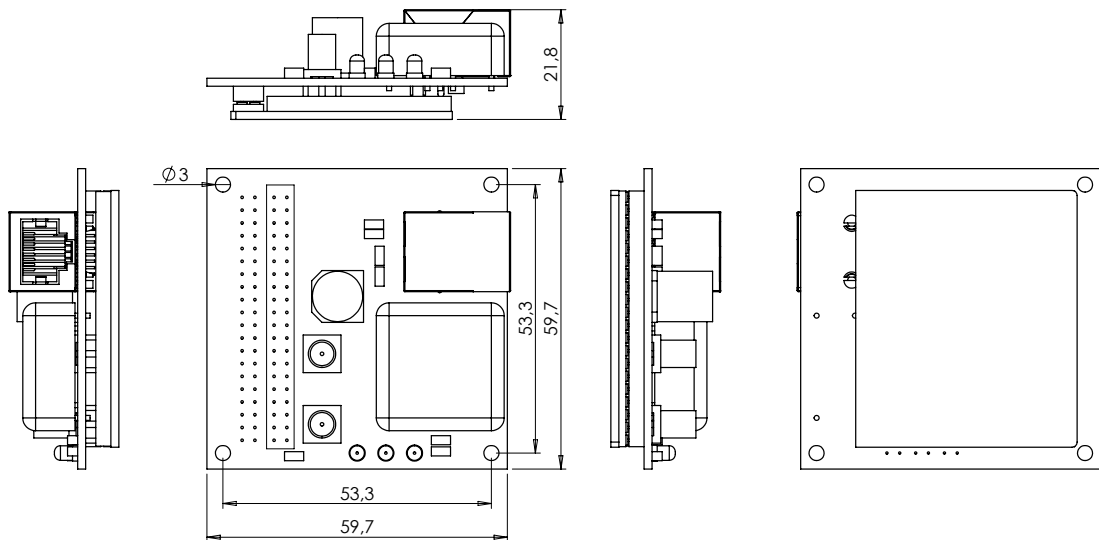


CUA32-SLV-POM

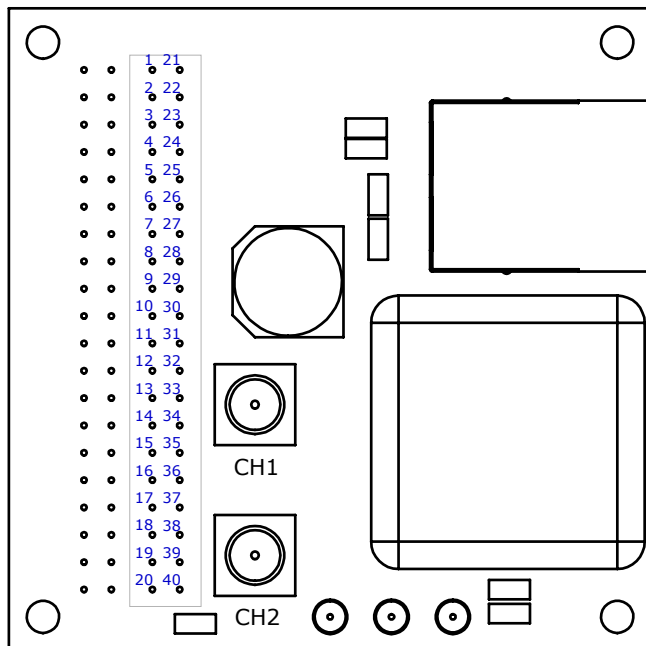
CUA32 slave module, power over master



Mechanical



Electrical



1: VIO	21: DNC (*)
2: IO9	22: I1
3: IO10	23: I2
4: IO11	24: I3
5: IO12	25: I4
6: IO13	26: IO16
7: IO14	27: IO15
8: Vin-	28: O17
9: Vin+	29: CH3
10: 12Vout	30: 0V
11: 0V	31: 12Vout
12: CH1	32: CH2
13: LED2+	33: LED2-
14: LED3+	34: LED3-
15: IO5	35: IO8
16: IO6	36: IO7
17: IO17+	37: IO17-
18: MASTER+	38: MASTER-
19: SLAVE+	39: SLAVE-
20: DNC (*)	40: 5Vout

galvanic
isolated

(*): Do Not Connect